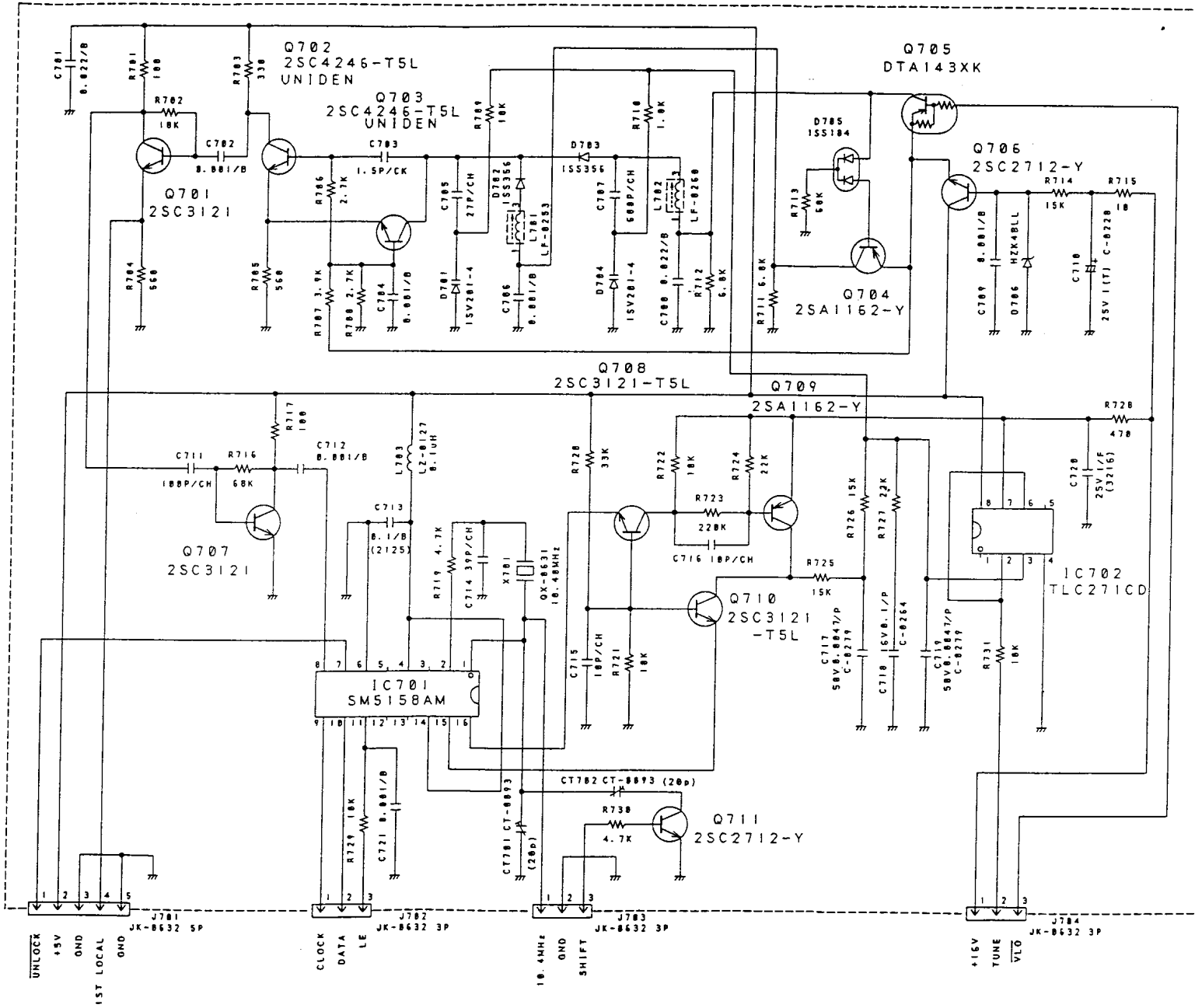


1. RESISTANCE VALUES ARE SHOWN IN OHMS UNLESS OTHERWISE NOTED.
2. RESISTOR WATTAGE ARE 1/10W UNLESS OTHERWISE NOTED.
3. CAPACITANCE VALUES ARE INDICATED IN MICRO FARADS UNLESS OTHERWISE NOTED.
(P=PICO-MICRO FARADS)
4. ALL ELECTRIC CAPACITORS APPROVAL NO. IS C-130 UNLESS OTHERWISE NOTED.
5. CHIP PARTS ARE NOT SPECIFIED IN THIS SCHEMATIC DIAGRAM. PLEASE REFER TO THE PARTS LIST FOR THE CHIP PARTS. RESISTOR

DESIGN	DRWN BY	TITLE	MAIN PCB
96.2.24	96.9.5	SCHEMATIC DIAGRAM	
Y. TAKAYAMA	HOSHINO	DATE	96.9.5
CHECK BY	APPD BY	DESIGNED BY	AEC&M
REV. NO.		UNIDEN CORP.	



NOTES:

1. RESISTANCE VALUES ARE SHOWN IN OHMS UNLESS OTHERWISE NOTED. (K=KILO OHM, M=MEG OHM)
2. RESISTOR WATTAGES ARE [1/16W] UNLESS OTHERWISE NOTED.
3. CAPACITANCE VALUES ARE INDICATED IN MICRO FARADS UNLESS OTHERWISE NOTED. (P=MICRO-MICRO FARAD)
4. CHIP CAPACITOR'S SIZES ARE (1608) TYPE UNLESS OTHERWISE NOTED.

DESIGN	DRAWN BY	AE GGM
'95.9.27	'96.9.5	
KUROKI	Y. HOSHI	TITLE PLL PCB SCHEMATIC DIAGRAM
CHECK BY	APPRO BY	DRAWING No.
REV. No.		UNIDEN CORP.